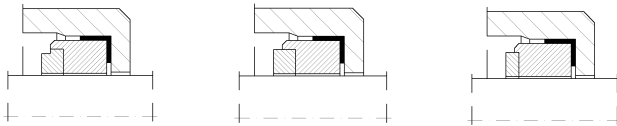
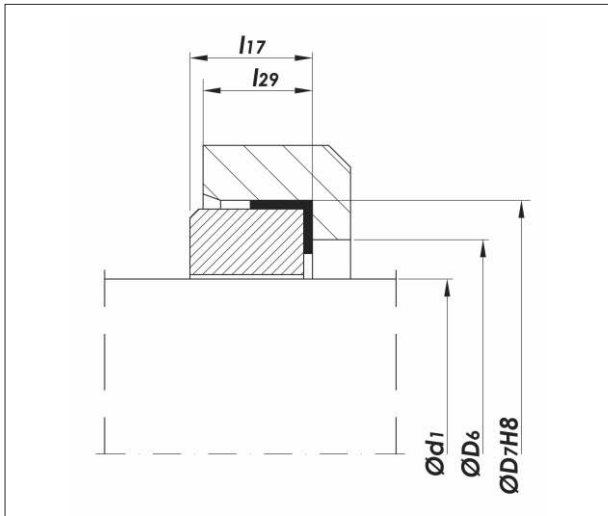


S5G50



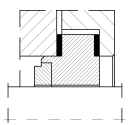
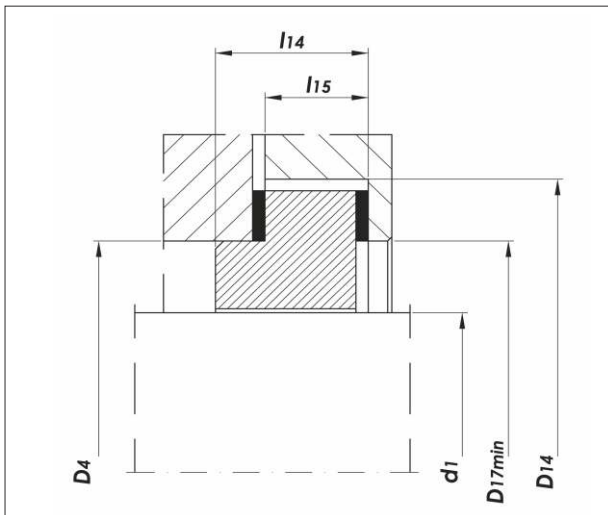
S5.1G50

S5.2G50

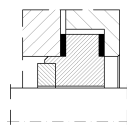
S5.3G50

d_1	D_6	D_7	l_{17}	l_{29}
10	11	24.60	9.0	7.5
12	13.5	27.80	9.0	7.5
14	17	30.95	10.5	9.0
16	17	30.95	10.5	9.0
18	20	34.15	10.5	9.0
20	21.5	35.70	10.5	9.0
22	23	37.30	10.5	9.0
24	26.5	40.50	10.5	9.0
25	26.5	40.50	10.5	9.0
28	29.5	47.65	12.0	10.5
30	32.5	50.80	12.0	10.5
32	32.5	50.80	12.0	10.5
33	36.5	54.00	12.0	10.5
35	36.5	54.00	12.0	10.5
38	39.5	57.15	12.0	10.5
40	42.5	60.35	12.0	10.5
43	46	63.50	12.0	10.5
45	46	63.50	12.0	10.5
48	49	66.70	12.0	10.5
50	52	69.85	13.5	12.0
53	55.5	73.05	13.5	12.0
55	58.5	76.20	13.5	12.0
58	61.5	79.40	13.5	12.0
60	61.5	79.40	13.5	12.0
63	-	-	-	-
65	68	92.10	16.0	14.5
68	71	95.25	16.0	14.5
70	71	95.25	16.0	14.5
75	77.5	101.60	16.0	14.5
80	84	114.30	20.0	18.5
85	87	117.50	20.0	18.5
90	93.5	123.85	20.0	18.5
95	96.5	127.00	20.0	18.5
100	103	133.35	20.0	18.5

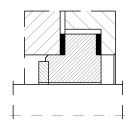
S6



S6.1



S6.2



S6.3

d_1	D_4	D_{14}	D_{17}	l_{14}	l_{15}
10	22	38	22	17	9.0
12	24	40	24	17	9.0
14	26	42	26	17	9.0
16	28	44	28	17	9.0
18	34	47	34	17	9.0
20	36	49	36	17	9.0
22	38	51	38	17	9.0
24	40	54	40	17	9.0
25	41	54	41	17	9.0
28	44	58	44	17	9.0
30	46	61	46	17	9.5
32	48	61	48	17	9.5
33	49	61	49	17	9.5
35	51	62	51	17	9.5
38	58	70	58	17	9.5
40	60	73	60	17	9.5
43	63	80	63	17	9.5
45	65	80	65	17	9.5
48	68	83	68	17	9.5
50	70	83	70	17	9.5
53	73	89	73	17	9.5
55	75	96	75	17	9.5
58	83	98	83	17	9.5
60	85	99	85	20	9.5
63	88	103	88	20	9.5
65	90	108	90	20	9.5
68	93	112	93	20	9.5
70	95	112	95	25	14.5
75	104	117	104	25	14.5
80	109	126	109	25	14.5
85	114	128	114	25	14.5
90	119	134	119	25	14.5
95	124	137	124	25	14.5
100	129	144	129	25	14.5