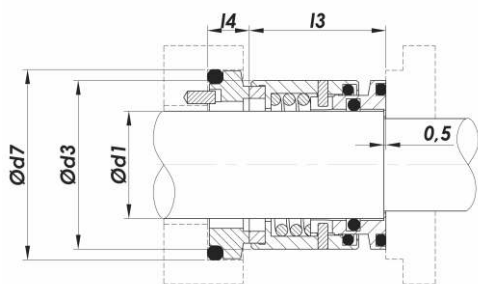
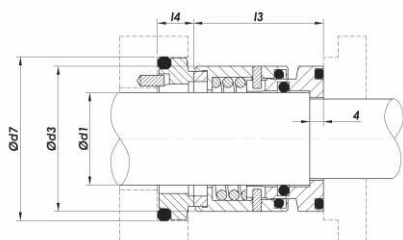


**BT2V01**



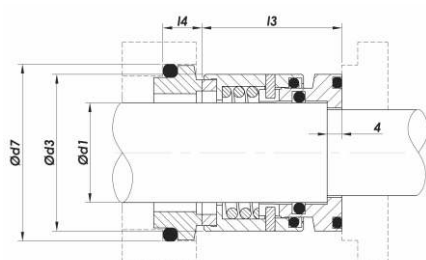
d <sub>1</sub>	d <sub>3</sub>	d <sub>7</sub>	l <sub>3</sub>	l <sub>4</sub>
28	43,0	48	34,5	10,5
38	52,8	57	35,0	10,5

**BT2V02**



d <sub>1</sub>	d <sub>3</sub>	d <sub>7</sub>	l <sub>3</sub>	l <sub>4</sub>
28	43,0	48	38,0	10,5

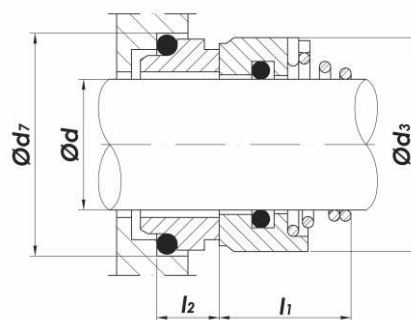
**BT2V03**



d <sub>1</sub>	d <sub>3</sub>	d <sub>7</sub>	l <sub>3</sub>	l <sub>4</sub>
19	33,5	31	29,0	8,0
28	40,0	43	33,0	9,0
38	52,0	60,5	43,0	11,5

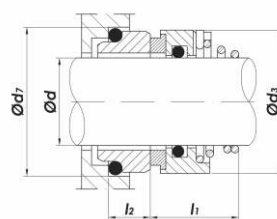


**NT HG**



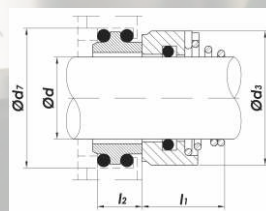
d <sub>1</sub>	d <sub>3</sub>	d <sub>7</sub>	l <sub>1</sub>	l <sub>2</sub>
19	31,0	30,9	25,0	8,0
28	40,0	43,3	29,0	9,0
30	43,0	45,0	31,5	11,0
38	53,0	60,5	39,0	11,5
40	56,0	58,0	33,5	11,5
50	66,0	70,0	33,5	14,0

**NT HG2**



d <sub>1</sub>	d <sub>3</sub>	d <sub>7</sub>	l <sub>1</sub>	l <sub>2</sub>	l <sub>11</sub>	l <sub>21</sub>
19	31	35	20,0	9,5	22,0	7,5
28	40	42	24,5	11,0	26,5	9,0
30	43	45	24,5	11,0	25,0	10,5
38	53	55	31,0	11,5	32,2	11,3
40	56	58	34,0	11,5	34,7	11,8
50	66	70	43,5	14	45,7	11,6

**NT HG STX**



d	d <sub>3</sub>	d <sub>7</sub>	l <sub>1</sub>	l <sub>2</sub>
19	31	35,0	20,0	15,0
28	40	41,3	24,5	15,5

