



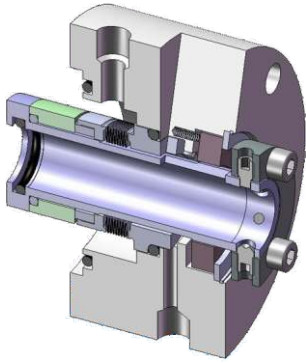
APIX -

API 682

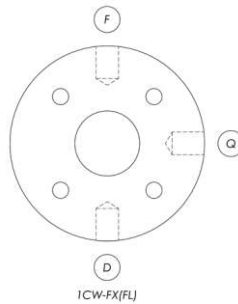


pH 0 .. 14,

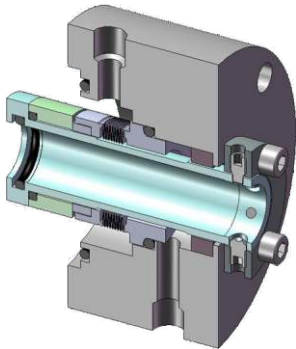
176°



APIX 1CW-FX C 1 1

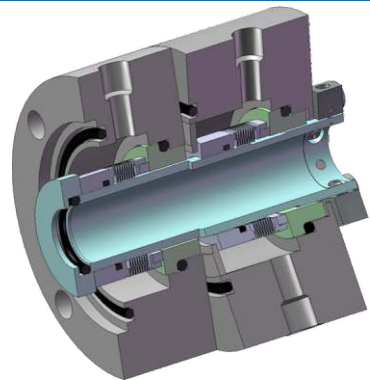


(Viton, Kalrez)
(FEP),

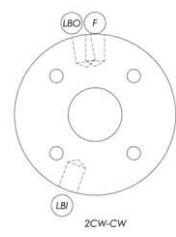


APIX 2CW-CW B 2,3 2

22
-50° ...425°

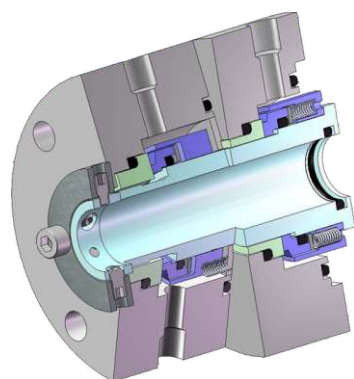


APIX 2CW-CW A 2,3 3



(Viton, Kalrez)
(FEP),

22
-50° ...425°



40
-40° ...260°

(Viton, Kalrez)
(FEP)