

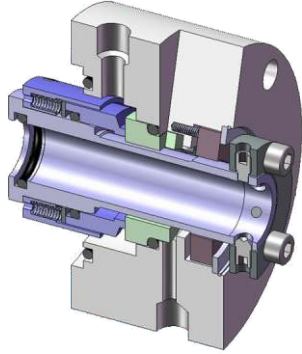


**APIX -**

**API 682**

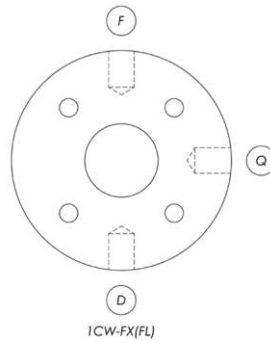
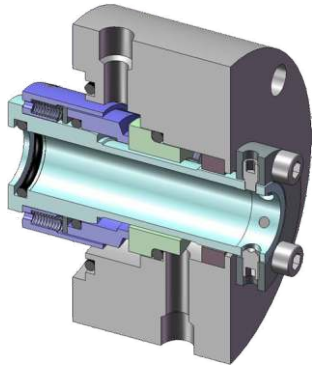


APIX 1CW-FX A 1 1



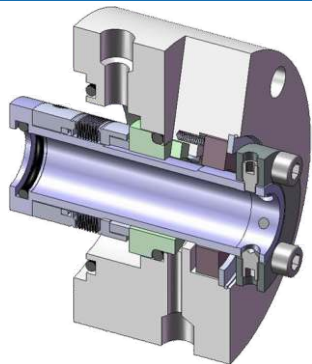
176° , pH 0 .. 14,

APIX 1CW-FX A 1 1



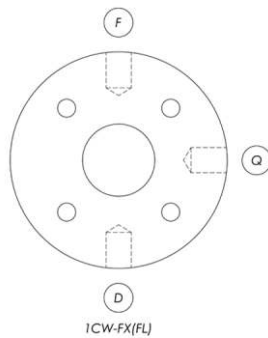
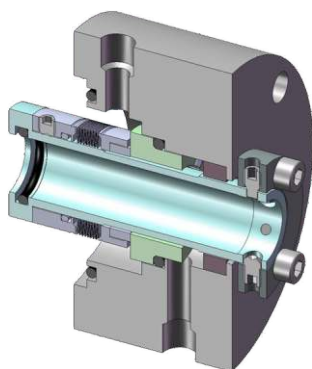
(Viton, Kalrez)  
(FEP)

APIX 1CW-FL B 1 1



(Viton, Kalrez)  
(FEP),

APIX 1CW-FX B 1 1



22  
-20° ...400°