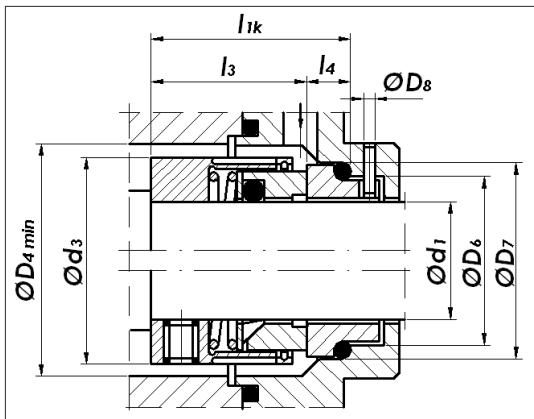


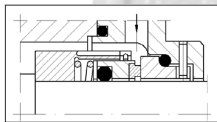
# NV-2

DIN 24960

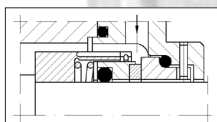
DIN 24960 (EN12756)



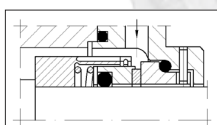
| d <sub>1</sub> | d <sub>3</sub> | D <sub>4</sub> | D <sub>6</sub> | D <sub>7</sub> | D <sub>8</sub> | l <sub>3</sub> | l <sub>4</sub> | l <sub>ik</sub> |
|----------------|----------------|----------------|----------------|----------------|----------------|----------------|----------------|-----------------|
| 18             | 32             | 34             | 27             | 33             | 3              | 26             | 11.5           | 37.5            |
| 20             | 34             | 36             | 29             | 35             | 3              | 26             | 11.5           | 37.5            |
| 22             | 36             | 38             | 31             | 37             | 3              | 26             | 11.5           | 37.5            |
| 24             | 38             | 40             | 33             | 39             | 3              | 28.5           | 11.5           | 40              |
| 25             | 39             | 41             | 34             | 40             | 3              | 28.5           | 11.5           | 40              |
| 28             | 42             | 44             | 37             | 43             | 3              | 31             | 11.5           | 42.5            |
| 30             | 44             | 46             | 39             | 45             | 3              | 31             | 11.5           | 42.5            |
| 32             | 46             | 48             | 42             | 48             | 3              | 31             | 11.5           | 42.5            |
| 33             | 47             | 49             | 42             | 48             | 3              | 31             | 11.5           | 42.5            |
| 35             | 49             | 51             | 44             | 50             | 3              | 31             | 11.5           | 42.5            |
| 38             | 54             | 58             | 49             | 56             | 4              | 31             | 14             | 45              |
| 40             | 56             | 60             | 51             | 58             | 4              | 31             | 14             | 45              |
| 43             | 59             | 63             | 54             | 61             | 4              | 31             | 14             | 45              |
| 45             | 61             | 65             | 56             | 63             | 4              | 31             | 14             | 45              |
| 48             | 64             | 68             | 59             | 66             | 4              | 31             | 14             | 45              |
| 50             | 66             | 70             | 62             | 70             | 4              | 32.5           | 15             | 47.5            |
| 53             | 69             | 73             | 65             | 73             | 4              | 32.5           | 15             | 47.5            |
| 55             | 71             | 75             | 67             | 75             | 4              | 32.5           | 15             | 47.5            |
| 58             | 78             | 83             | 70             | 78             | 4              | 37.5           | 15             | 52.5            |
| 60             | 80             | 85             | 72             | 80             | 4              | 37.5           | 15             | 52.5            |
| 63             | 83             | 88             | 75             | 83             | 4              | 37.5           | 15             | 52.5            |
| 65             | 85             | 90             | 77             | 85             | 4              | 37.5           | 15             | 52.5            |
| 68             | 88             | 93             | 81             | 90             | 4              | 37.5           | 15             | 52.5            |
| 70             | 90             | 95             | 83             | 92             | 4              | 43             | 17             | 60              |
| 75             | 99             | 104            | 88             | 97             | 4              | 43             | 17             | 60              |
| 80             | 104            | 109            | 95             | 105            | 4              | 43             | 17             | 60              |
| 85             | 109            | 114            | 100            | 110            | 4              | 43             | 17             | 60              |
| 90             | 114            | 119            | 105            | 115            | 4              | 48             | 17             | 65              |
| 95             | 119            | 124            | 110            | 120            | 4              | 48             | 17             | 65              |
| 100            | 124            | 129            | 115            | 125            | 4              | 48             | 17             | 65              |



NV-2.1



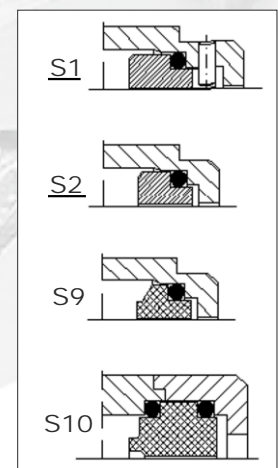
NV-2.2



NV-2.3



NV-2/SC/



(A, )

( )

(U<sub>3</sub>)

(Q<sub>1</sub>, Q<sub>2</sub>)

Al<sub>2</sub>O<sub>3</sub> (V)

- p = 16 (25)

- t = -50 ... 220°C

- v = 20 /