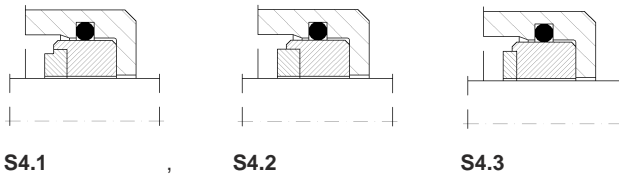
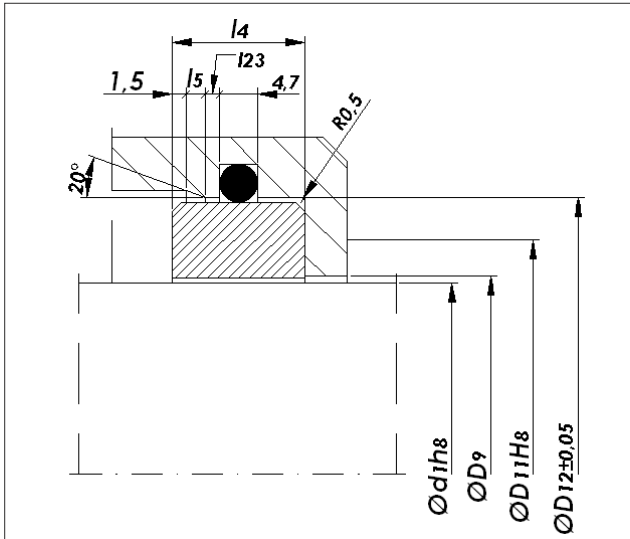


S4



S4.1

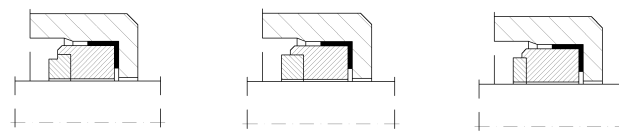
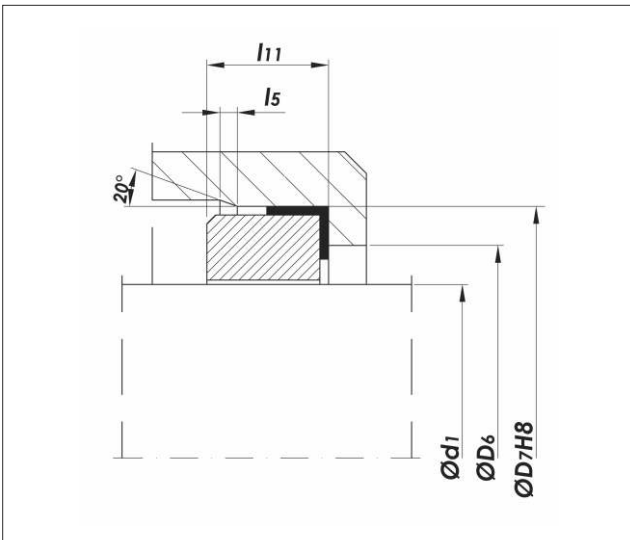
S4.2

S4.3

d_1	D_9	D_{11}	D_{12}	l_4	l_5	l_{13}
10	11.0	21.2	26.8	10.0	1.5	2.0
12	13.0	24.2	29.8	10.0	1.5	2.0
14	15.0	26.2	31.8	10.0	1.5	2.0
16	17.0	27.2	32.8	10.0	1.5	2.0
18	19.0	33.2	38.8	11.5	2.0	2.5
20	21.0	35.2	40.8	11.5	2.0	2.5
22	23.0	37.2	42.8	11.5	2.0	2.5
24	25.0	40.2	45.8	11.5	2.0	2.5
25	26.0	40.2	45.8	11.5	2.0	2.5
28	29.0	43.2	48.8	11.5	2.0	2.5
30	31.5	45.2	50.8	11.5	2.0	2.5
32	33.5	48.2	53.8	11.5	2.0	2.5
33	34.5	48.2	53.8	11.5	2.0	2.5
35	36.5	50.2	55.8	11.5	2.0	2.5
38	39.5	56.2	61.8	14.0	2.0	3.0
40	41.5	58.2	63.8	14.0	2.0	3.0
43	44.5	61.2	66.8	14.0	2.0	3.0
45	46.5	63.2	68.8	14.0	2.0	3.0
48	49.5	66.2	71.8	14.0	2.0	3.0
50	52.0	70.2	75.8	15.0	2.5	3.5
53	55.0	73.2	78.8	15.0	2.5	3.5
55	57.0	75.2	80.8	15.0	2.5	3.5
58	60.0	78.2	83.8	15.0	2.5	3.5
60	62.0	82.2	87.8	15.0	2.5	3.5
63	65.0	85.2	90.8	15.0	2.5	3.5
65	67.0	95.2	90.8	15.0	2.5	3.5
68	70.0	92.2	97.8	15.0	2.5	3.5
70	72.0	92.2	97.8	17.0	2.5	4.0
75	77.0	98.2	103.8	17.0	2.5	4.0
80	82.0	108.2	113.8	17.0	3.0	4.0
85	87.0	111.2	116.8	17.0	3.0	4.0
90	92.0	117.2	122.8	17.0	3.0	4.0
95	97.0	120.2	125.8	17.0	3.0	4.0
100	102.0	127.2	132.8	17.0	3.0	4.0

S5

DIN 24960



S5.1

S5.2

S5.3

d_1	D_6	D_7	l_5	l_{11}
10	17	21	1.5	6.6
12	19	23	1.5	6.6
14	21	25	1.5	6.6
16	23	27	1.5	6.6
18	27	33	2.0	7.5
20	29	35	2.0	7.5
22	31	37	2.0	7.5
24	33	39	2.0	7.5
25	34	40	2.0	7.5
28	37	43	2.0	7.5
30	39	45	2.0	7.5
32	42	48	2.0	7.5
33	42	48	2.0	7.5
35	44	50	2.0	7.5
38	49	56	2.0	9.0
40	51	58	2.0	9.0
43	54	61	2.0	9.0
45	56	63	2.0	9.0
48	59	66	2.0	9.0
50	62	70	2.5	9.5
53	65	73	2.5	11.0
55	67	75	2.5	11.0
58	70	78	2.5	11.0
60	72	80	2.5	11.0
63	75	83	2.5	11.0
65	77	85	2.5	11.0
68	81	90	2.5	11.3
70	83	92	2.5	11.3
75	88	97	2.5	11.3
80	95	105	3.0	12.0
85	100	110	3.0	14.0
90	105	115	3.0	14.0
95	110	120	3.0	14.0
100	115	125	3.0	14.0